

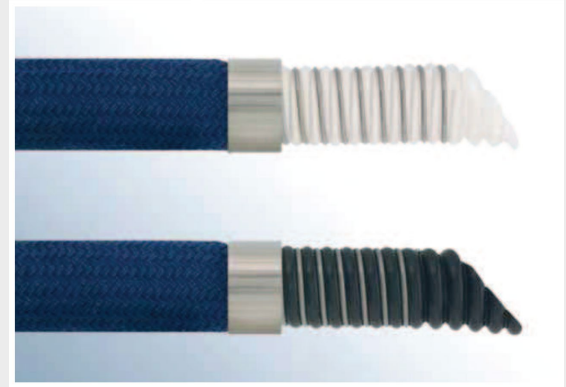
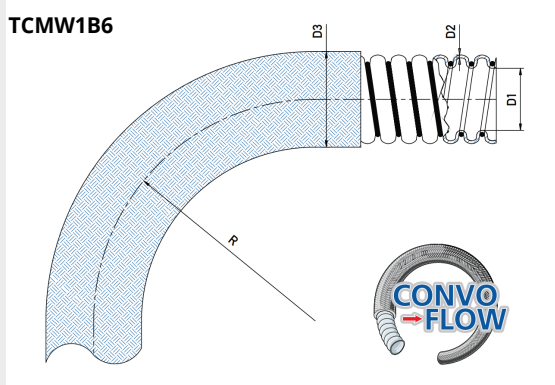
Convolutated

Type

Convo → Flow®-M/W1/B6

Convo → Flow®-A/M/W1/B6

Convolutated PTFE hose with vacuum wire and polypropylene braid - medium wall.



Construction:

A helically convoluted PTFE(polytetrafluorethylene) suction/pressure hose, medium wall, with external vacuum wire and polypropylene yarn braid.

Fittings:

Hose fittings with PTFE tail Hose fittings with Hydraulic tail Industrial fittings Industrial fittings with PTFE lining

Typical applications:

Convo → Flow®-M/W1/B6 should be specified where vibrations or frequent handling are applied in combination with vacuum.

Certification : PTFE

- ATEX Group IIA, IIB and IIC - area types '0, 1 and 2 (in accordance to 1999 / 92 / CE)
- The quality manegment of Xtraflex NV. has been certified according to NBN - EN - ISO-9001 : 2008
- FDA 21 CFR 177.1550.
- FDA 21 CFR 178.3297.
- 3- A Sanitary Standards.
- Meets the requirments of US Pharmacopeia Class VI.
- BPSA / FDA leachables and extractables recommendations.
- European Migration Directive 1935/2004.

Size	D1		D2	D3		R	WP	BP	Vacuum	Lmax	Weight	Ref.	Ref.
	min.	max.		mm	min.		max.	Bar 20°C					
1/2"	11,6	13,6	0,82	21,4	23,4	50	10	40	887	10	210	TCMW1B6012	TCAMW1B6012
5/8"	15,1	16,4	0,88	26,3	28,2	65	10	40	887	10	400	TCMW1B6016	TCAMW1B6016
3/4"	19,5	20,5	1,00	31,1	33,9	55	10	40	887	10	490	TCMW1B6020	TCAMW1B6020
1"	24,5	25,5	1,10	36,7	40,7	85	10	40	887	10	810	TCMW1B6025	TCAMW1B6025
1 1/4"	31,5	32,5	1,15	44,4	48,6	100	10	40	887	10	1070	TCMW1B6032	TCAMW1B6032
1 1/2"	36,5	37,5	1,45	49,7	52,4	120	10	40	887	10	1310	TCMW1B6040	TCAMW1B6040
1 3/4"	44,5	45,5	1,45	58,3	63,9	135	10	40	887	10	1850	TCMW1B6045	TCAMW1B6045
2"	49,5	50,5	1,50	62,5	69,2	165	10	40	887	10	2050	TCMW1B6050	TCAMW1B6050
2 1/2"	62,5	63,5	1,60	83,4	91,6	230	7	28	887	10	3440	TCMW1B6065	TCAMW1B6065
3"	73,5	74,5	1,60	92,9	102,2	260	6	24	887	10	5710	TCMW1B6080	TCAMW1B6080

TEMP. -70°C +90°C

Other materials on request. We reserve the right to alter the specifications without notice.



Convuluted

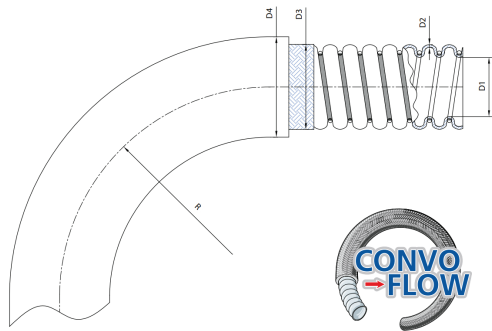
Type

Convo → Flow®-M/W1/B1/SI

Convo → Flow®-A/M/W1/B1/SI

Convuluted PTFE hose with vacuum wire and Silicone vulcanized high tensile stainless steel braid - medium wall.

TCMW1B1SI



Construction:

A helically convoluted PTFE (Polytetrafluorethylene) suction/pressure hose, medium wall, with external vacuum wire with EPDM vulcanized high tensile stainless steel braid. The hose has very good vacuum and kink resistance.

Fittings:

Hose fittings with PTFE tail Hose fittings with Hydraulic tail Industrial fittings Industrial fittings with PTFE lining

Typical applications:

Convo → Flow®-M/W1/B1/SI should be specified for steam applications or when high vacuum hose applications are required. Generally Excellent mechanical strength. Silicone vulcanized stainless steel braid ensures a high flexibility and easy cleanability. Making it ideal for Food, Bio, and Cosmetic industry. The Silicon cover is white, FDA compliant.

Certification : PTFE

- ATEX Group IIA, IIB and IIC - area types '0, 1 and 2 (in accordance to 1999 / 92 / CE)
- The quality manegment of Xtraflex NV. has been certified according to NBN - EN - ISO-9001 : 2008
- FDA 21 CFR 177.1550.
- FDA 21 CFR 178.3297.
- 3- A Sanitary Standards.
- Meets the requirments of US Pharmacopeia Class VI.
- BPSA / FDA leachables and extractables recommendations.
- European Migration Directive 1935/2004.

Size	D1		D2	D3		R	WP	BP	Vacuum	Lmax	Weight	REF	REF
	min.	max.		min.	max.								
1/2"	11,6	16,9	0,82	19,9	26,9	25	60	300	947	10	220	TCMW1B1SI012	TCAMW1B1SI012
5/8"	15,1	16,4	0,88	23,2	30,2	35	55	270	947	10	320	TCMW1B1SI016	TCAMW1B1SI016
3/4"	19,5	20,5	1,00	35,6	42,6	55	60	290	947	10	540	TCMW1B1SI020	TCAMW1B1SI020
1"	24,5	25,5	1,10	41,2	48,2	85	40	210	947	10	890	TCMW1B1SI025	TCAMW1B1SI025
1 1/4"	31,5	32,5	1,15	48,9	55,9	100	40	210	947	10	1180	TCMW1B1SI032	TCAMW1B1SI032
1 1/2"	36,5	37,5	1,45	54,2	61,2	120	35	175	947	10	1710	TCMW1B1SI040	TCAMW1B1SI040
1 3/4"	44,5	45,5	1,45	62,8	69,8	135	25	135	947	10	2450	TCMW1B1SI045	TCAMW1B1SI045
2"	49,5	50,5	1,50	67,5	74,5	165	25	135	947	10	2610	TCMW1B1SI050	TCAMW1B1SI050

Other materials on request. We reserve the right to alter the specifications without notice.

Neel Industrial Solutions Pvt.Ltd

Plot No. X / 12, Office No.5, Onkar Premises Society ,
Near Thakur Hospital, MIDC, Dombivli (E) 421 203.

☎ 98339 24947 | 98337 88014

✉ bgore@neelpharma.com ✉ marketing@neelpharma.com

🌐 www.neelpharma.com

