

### Technical data

Max. product pressure : 10 bar  
Working temperature : -10°C~140°C (EPDM)

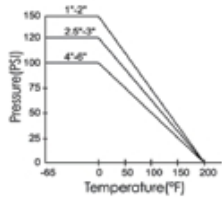
### Material

Product wetted stainless steel parts : SS304 or SS316L  
Finish : Semi-bright  
Other stainless steel parts : SS304  
Seal : Silicone, EPDM or VITON®

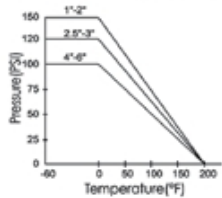
### Ordering information

Valve type  
Valve size  
Connection type  
Material grade  
Seal material  
Handle type  
Actuation type

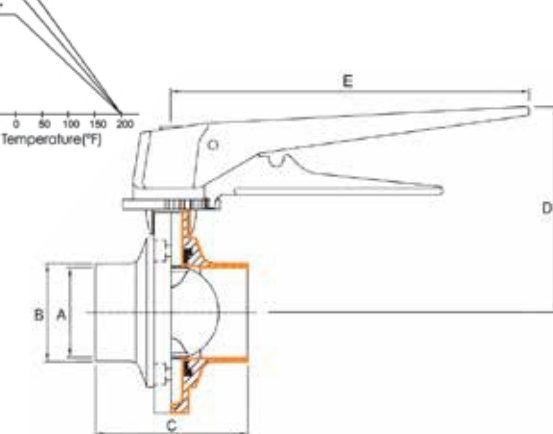
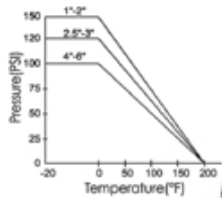
### EPDM SEAT TEMPERATURE CHART



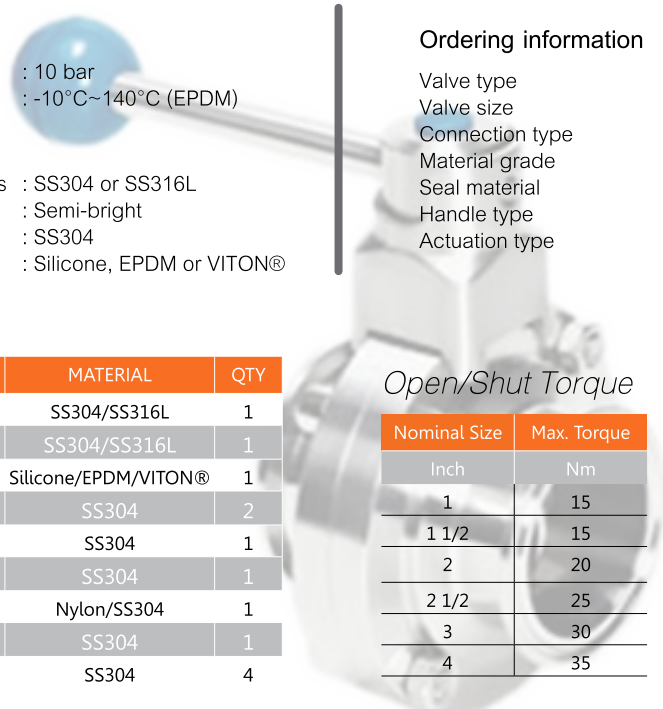
### SILICONE SEAT TEMPERATURE CHART



### VITON SEAT TEMPERATURE CHART



Nominal Size	A	B	C	D	E
Inch	mm	mm	mm	mm	mm
1	22.1	25.4	52	90	158
1 1/2	34.8	38.1	52	95	158
2	47.5	50.8	52	102	158
2 1/2	60.2	63.5	56	111	158
3	72.9	76.2	60	116.5	158
4	97.4	101.6	72	135.5	158

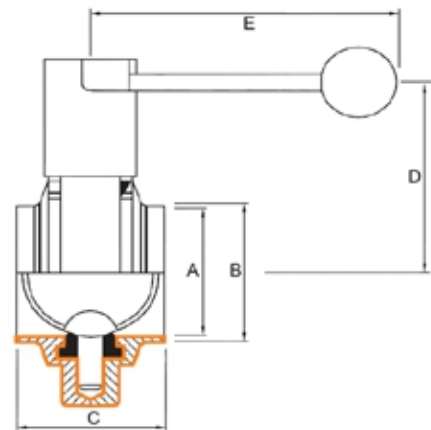


### Open/Shut Torque

Nominal Size	Max. Torque
Inch	Nm
1	15
1 1/2	15
2	20
2 1/2	25
3	30
4	35

# Butterfly Valve

## *Pull Handle Type*



Nominal Size	A	B	C	D	E
Inch	mm	mm	mm	mm	mm
1	22.1	25.4	52	66	130
1 1/2	34.8	38.1	52	68.5	130
2	47.5	50.8	52	76.5	138
2 1/2	60.2	63.5	56	84.5	138
3	72.9	76.2	60	91	160
4	97.4	101.6	72	135.5	160

### Neel Industrial Solutions Pvt.Ltd