



**NEEL Industrial**<sup>TM</sup>  
SOLUTIONS PVT. LTD

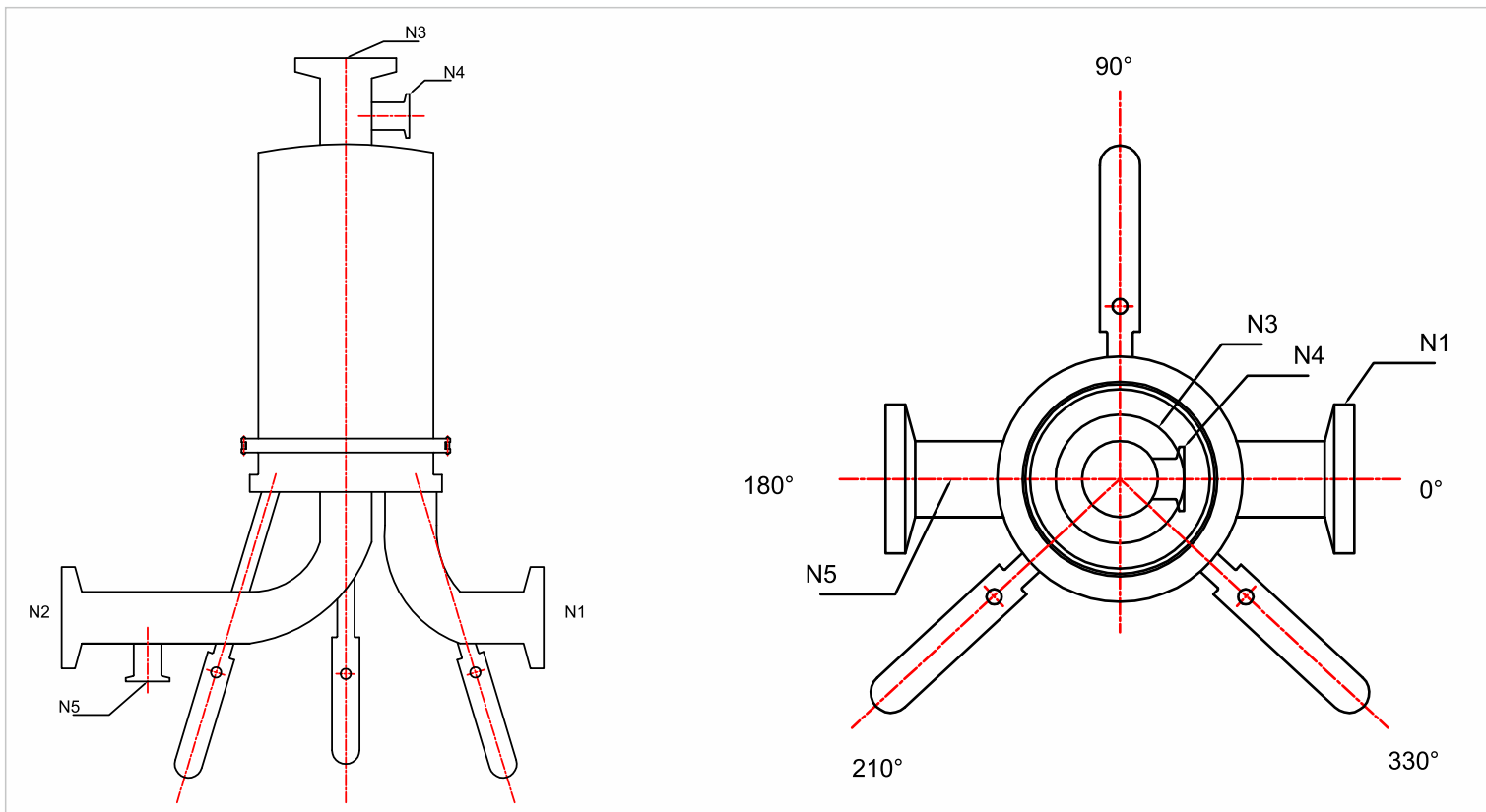
(ISO 9001:2015 Certified Co.)

# SANITARY STAINLESTEEL FILTER HOUSING



- SS filter housings are ideal for sterile filtration applications. These single and multi round sanitary filter housings include a positioning plate, positioning plate retainer rods, vent and drain connections, silicon 'o'- ring or gaskets and sanitary gauge port.
- Exclusively designed to ensure meeting all the pharmaceuticals industry housing applications.
- Customization according to process requirement
- Flow efficient design with low pressure drop
- Steam jacketed and electrically heated housing with option of integrity test
- User friendly vertical design with sanitary connection
- CIP and SIP design
- Low hold-up volume – maximizes product recovery
- Easy draining features, including downward sloping internal contour and low point drain
- Fewer welds – extremely sanitary design
- Requires minimum floor space and quickly dismantles for easy cleaning
- Cartridge locks into place assuring secure installation
- Automated orbital welding – produces consistent high quality welds
- T-style and inline configurations allow flexible piping options
- Chemical certificate, dimensional certificate, raw material traceability, hydro test certificate,
- Dedicated engineering team for product development and efficiency optimization.





## Technical Data

<b>No. Of Cartridges</b>	Up to 25 Nos, (Customizable as per requirement)
<b>Cartridge Length</b>	5", 10", 20", 30", 40"
<b>Flow Rate</b>	Up to 100 m <sup>3</sup> /hr , (Customizable as per requirement)
<b>Cartridge Fitment</b>	Plug - in
<b>Design Code</b>	ASME section VIII Division 1
<b>MOC</b>	Stainless Steel Grade - 304, 304L, 316, 316L
<b>Pressure Rating</b>	1 bar – 15 bar
<b>Temperature Rating</b>	-25°C to +65°C more on request
<b>Connection Size</b>	1/2" – 4"
<b>Connections</b>	Flange, Tri-Clover Clamp, Socket
<b>Sealing Material</b>	EPDM, Silicon, Viton, PTFE
<b>Lifting Device</b>	Lifting Handle, Lifting Lug
<b>Vessel Support</b>	Legs, Tripod
<b>Surface Finish</b>	Internal $\leq 0.38\mu\text{m Ra}$ and External $\leq 0.5\mu\text{m Ra}$ , as per requirement. Electro Polished / Matt Finish.

## Our Other Products

Our product are precisely build to comply with different standard such as ASME, BPE, 3A, BS and SMS Size 1/4" to 6"

### Other Sanitary Products

**Sanitary Stainless Steel Fitting**



**Sanitary Check valve**



**Sanitary Angle seat valve**



**Sanitary Butterfly Valve**



**Sanitary Cavity Filler Ball Valve**



**Diaphragm Valve**



- ASME BPE Fitting • ASME BPE Tube • PTFE Hose • Silicon Hose • Silicon Tube
- Sanitary Zero Dead Valve • Sanitary Flow Divert Valve • Sanitary Pressure Relief Valve

Plot No. X / 12, office No.5, Onkar Premises Society, Near Thakur Hospital, MIDC,  
Dombivli (E) 421 203, Mumbai, Maharashtra, India.  
Office No.: 9899384947 | 98337 88014 | 82913 54968

✉ [sales@neelpharma.com](mailto:sales@neelpharma.com) 🌐 [www.neelpharma.com](http://www.neelpharma.com)