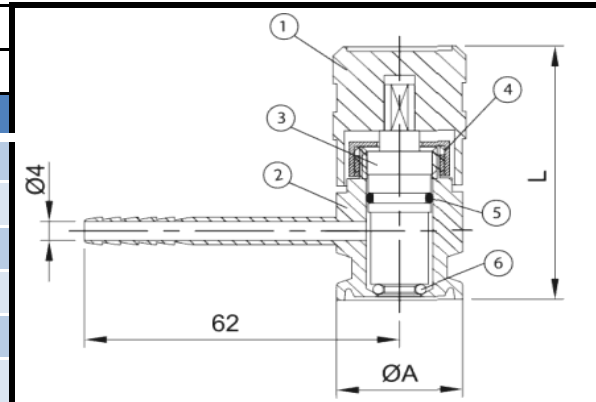


Level Valve			
Part List			
Item	Part Named	Q'TY	Material
1	Rotating Nut	1	POM
2	Body	1	SU304/316(L)
3	Flow Support	1	SU304/316(L)
4	Locknut	1	SU304/316(L)
5	O-Ring	1	EPDM
6	O-Ring	1	EPDM



Specification Table		
Size	ØA	L
1/2"	25.2	70
1"	50.5	70