

(3A)DIAPHRAGM VALVE



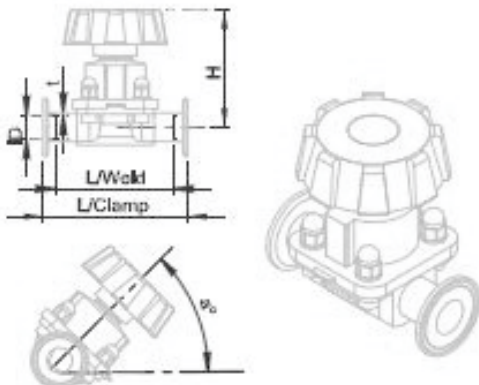
N0	DESIGNATION	QTY	MATERIAL
1	Diaphragm Valve Body	1	SS316L
2	Seal	1	PTFE
3	Seal	1	EPDM
4	Seat	1	SS304
5	Ring	1	POM
6	Shaft	1	SS304
7	Bonnet	1	SS304
8	Positioning	1	PE
9	Handle Wheel	1	NYLON
10	Ring	1	SS304
11	Screw	1	SS304
12	Cover	1	NYLON
13	Screw	4	SS304
14	Spring Ring	4	SS304
15	Nut	4	SS304
16	Nut	1	SS304

Technical data:

- Max product pressure : 10bar
- Max temperature : 140°C (EPDM)
- Min temperature : 10°C
- The valve body material : SS316L
- Diaphragm materials : PTFE+EPDM
- Working temperature : -20°C to 150°C
- ASME BPE : Weld/Clamp
- Maximum pressure, valve body : 10 bar
- Maximum pressure, valve seat : 6 bar

Valve body surface finishes, internal finish

- Ra<0.6µm mechanically polished internal, blasted external
- Ra<0.6µm electropolished internal/external
- Ra<0.4µm mechanically polished internal, blasted external
- Ra<0.4µm electropolished internal/external
- Ra<0.25µm mechanically polished internal/external
- Ra<0.25µm electropolished internal/external



Size	ID	t	H/NC	L/Weld	L/Clamp	α°
1/2"	9.5		75	83	108	41°
3/4"	15.8		75	83	108	33°
1.0"	22.1	1.65	116	120	127	25°
1.5"	34.8		136	153	159	24°
2.0"	47.5		136	173	190	30°