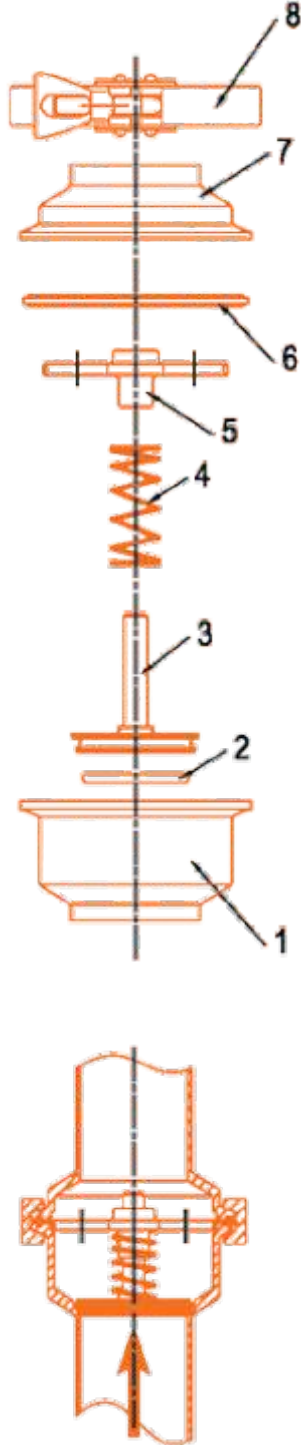


TC / Weld Type



Flow direction

Technical data

Max. product pressure : 10 bar
 Min. product pressure : 0.06 bar
 Working temperature : -10°C~140°C (EPDM)
 -50°C~200°C (Silicone)
 -20°C~210°C (VITON®)

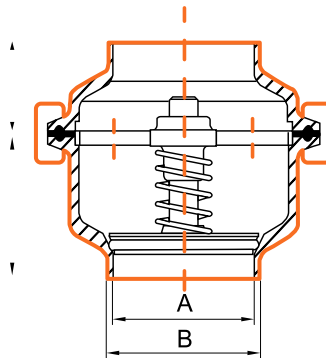
Material

Product wetted stainless steel parts : SS304 or SS316L
 Finish : Semi-bright
 Other stainless steel parts : SS304
 Seal : Silicone, EPDM or VITON®
 Clamp : SS304

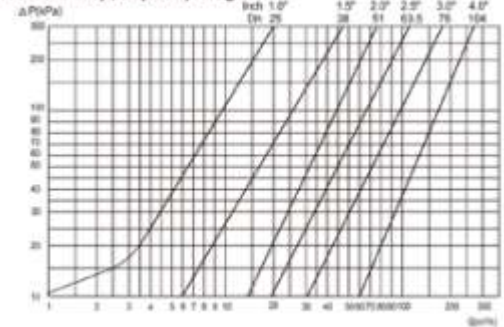
Ordering information

Size
 Connection type
 Material grade
 Gasket and O-Ring material

ITEM	PARTS	MATERIAL	QTY
1	Lower Body	SS304/SS316L	1
2	O-Ring	Silicone/EPDM/VITON®	1
3	Disc	SS304/SS316L	1
4	Spring	SS304/SS316L	1
5	Plate	SS304/SS316L	1
6	Gasket	Silicone/EPDM/VITON®	1
7	Upper Body	SS304/SS316L	1
8	Clamp	SS304	1



Pressure drop/capacity diagram



Medium: Water (20°C)
 Measurement in accordance with VDI 2173

Nominal Size	A	B	C	D
Inch	mm	mm	mm	mm
1/2	9.5	12.7	30	45
3/4	15.8	19.05	30	45
1	22.1	25.4	23.5	35
1 1/2	34.8	38.1	28.5	45
2	47.5	50.8	28.5	45
2 1/2	60.2	63.5	28.5	45
3	72.9	76.2	28.5	45
4	97.6	101.6	42	75

Neel Industrial Solutions Pvt.Ltd

Plot No. X/12, Office No.5, Onkar Premises Society,
 Near Thakur Hospital, Behind Mangalmurti Hall,
 MIDC Dombivli (East) - 421203, Mumbai, Maharashtra - India.
 ☎ 98339 24947 | 98337 88014
 ✉ bgore@neelpharma.com ✉ marketing@neelpharma.com
 🌐 www.neelpharma.com