



NEEL Industrial
SOLUTIONS PVT.LTD
Technology for process line

SANITARY STAINLESS STEEL FILTER HOUSING



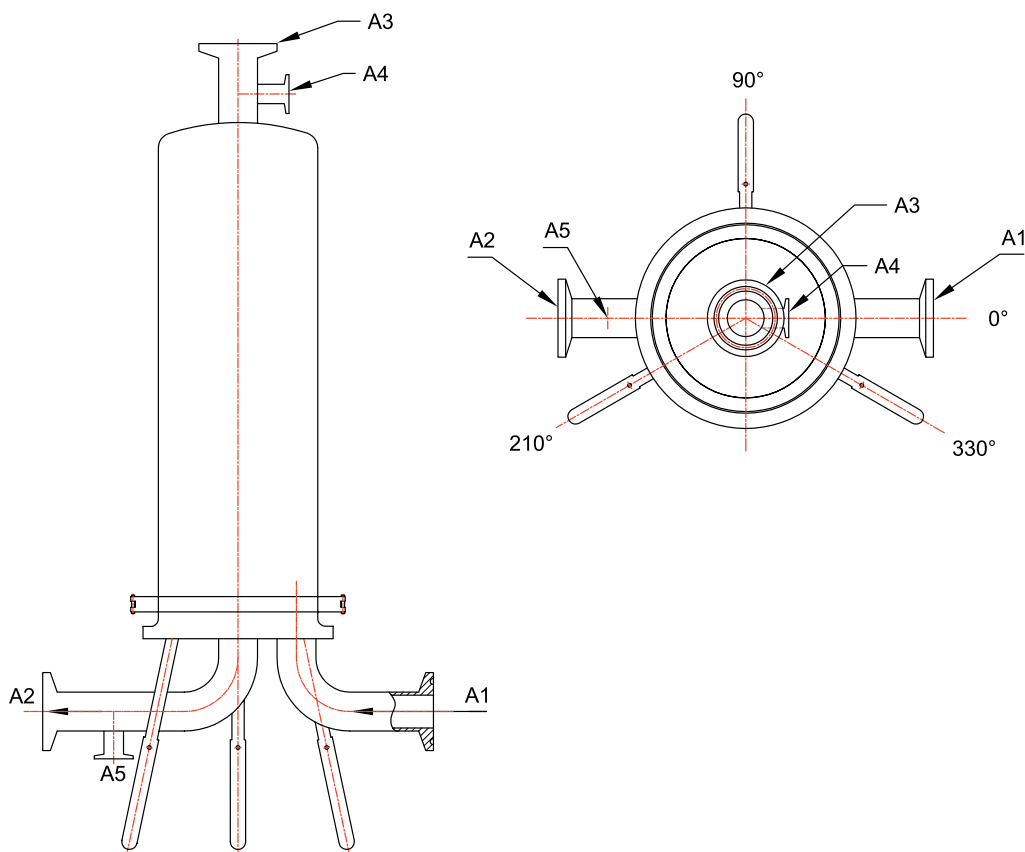
www.neelpharma.com

Follow us



- SS filter housings are ideal for sterile filtration applications. These single and multi round sanitary filter housings include a positioning plate, positioning plate retainer rods, vent and drain connections, silicon 'o'- ring or gaskets and sanitary gauge port.
- Exclusively designed to ensure meeting all the pharmaceuticals industry housing applications.
- Customization according to process requirement.
- Flow efficient design with low pressure drop.
- Steam jacketed and electrically heated housing with option of integrity test.
- User friendly vertical design with sanitary connection.
- CIP and SIP design.
- Low hold-up volume – maximizes product recovery.
- Easy draining features, including downward sloping internal contour and low point drain.
- Fewer welds – extremely sanitary design.
- Requires minimum floor space and quickly dismantles for easy cleaning.
- Cartridge locks into place assuring secure installation.
- Automated orbital welding – produces consistent high quality welds.
- T-style and inline configurations allow flexible piping options.
- Chemical certificate, dimensional certificate, raw material traceability, hydro test certificate.
- Dedicated engineering team for product development and efficiency optimization.





Technical Data

No. Of Cartridges	Up to 25 Nos, (Customizable as per requirement)
Cartridge Length	5", 10", 20", 30", 40"
Flow Rate	Up to 100 m ³ /hr , (Customizable as per requirement)
Cartridge Fitment	Plug - in
Design Code	ASME section VIII Division 1
MOC	Stainless Steel Grade - 304, 304L, 316, 316L
Pressure Rating	1 bar – 15 bar
Temperature Rating	-25°C to +65°C more on request
Connection Size	1/2" – 4"
Connections	Flange, Tri-Clover Clamp, Socket
Sealing Material	EPDM, Silicon, Viton, PTFE
Lifting Device	Lifting Handle, Lifting Lug
Vessel Support	Legs, Tripod
Surface Finish	Internal $\leq 0.38\mu\text{m Ra}$ and External $\leq 0.5\mu\text{m Ra}$, as per requirement. Electro Polished / Matt Finish.

Our Other Products

Our product are precisely build to comply with different standard such as ASME, BPE, 3A, BS and SMS Size 1/4" to 6"

Other Sanitary Products

Sanitary Stainless Steel Fitting



Sanitary Check valve



Flexible Process Hose



Sanitary Butterfly Valve



Sanitary Cavity Filler Ball Valve



Diaphragm Valve



- ASME BPE Fitting • ASME BPE Tube • PTFE Hose • Silicon Hose • Silicon Tube
- Sanitary Zero Dead Valve • Sanitary Flow Divert Valve • Sanitary Pressure Relief Valve

**Plot No. C-9, Office No. 310, 3rd floor, Globe Estate, M.I.D.C., Phase-1,
Dombivli (East) – 421 203 Mumbai, Maharashtra, India.**

Office No.: 8657453269 | 8657453270

✉ marketing@neelpharma.com  www.neelpharma.com

Follow us:  



Scan to Visit